

2/3/4/5 Megapixel H.265 Day&Night Pro Box Network Camera



MS-C2951-PB/MS-C3751-PB/
MS-C4451-PB/MS-C5351-PB

DATASHEET

KEY FEATURES

- ▶ **H.265** (50% reduction in bandwidth, storage and bit rate compared with H.264.)
- ▶ **Advanced Functions** (Boasting to support various advanced functions such as HLC, Defog, ROI.)
- ▶ **ICR Filter** (Filtering the infrared ray out in the day, and automatically switch day and night mode.)
- ▶ **RS485 port** (Connecting an external electrical rotating bracket with the camera to realize PTZ control through WEB/ NVR/ CMS/ VMS/ APP interfaces.)
- ▶ **128G** (Supporting ultra-large external microSD/SDHC/SDXC storage up to 128G.)

0.002Lux Ultra Low-light

The starlight camera is able to deliver high detailed color images even in low light environment reaching 0.002Lux(Color) or 0.001Lux(B/W), and near infrared light environments without any supplementary lighting.

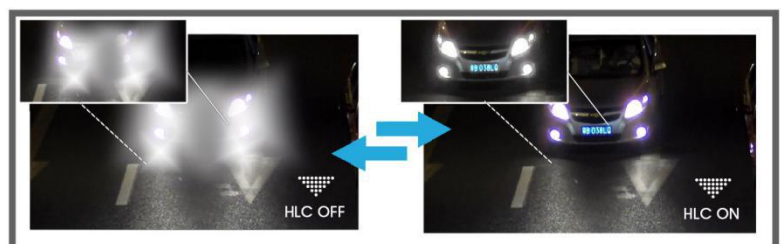


140dB Super WDR

Milesight's sensor-based WDR technology allows the camera to record greater scene details with true color reproduction even under the extreme back light and high contrast conditions. The ratio that the brightest light signal values divided by the darkest light signal values is up to 140dB.

HLC

HLC(High Light Compensation) can identify the high light spot and adjust the expose time to compensate for the area around strong light spots to present a distinct image, which is much usable in capturing vehicle plate license under car headlights.



H.265 Day&Night Pro Box Network Camera



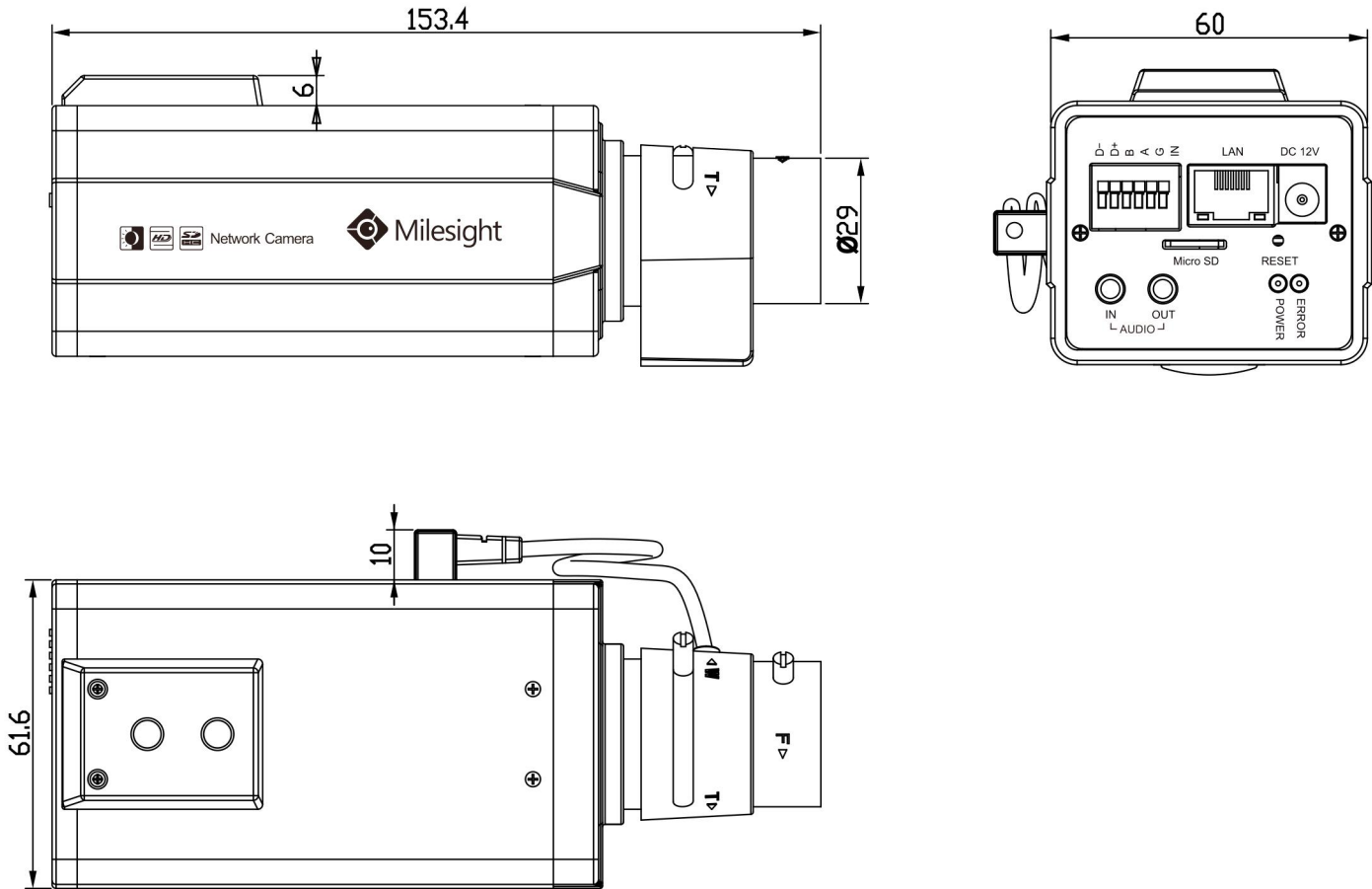
	Model	MS-C2951-PB (2MP)	MS-C3751-PB (3MP)	MS-C4451-PB (4MP)	MS-C5351-PB (5MP)
Camera	Image Sensor	1/2.8" Progressive Scan CMOS		1/3" Progressive Scan CMOS	1/2.9" Progressive Scan CMOS
	Min. Illumination	Color: 0.002Lux@F1.2 B/W: 0.001Lux@F1.2	Color: 0.005Lux@F1.2 B/W: 0.002Lux@F1.2	Color: 0.008Lux@F1.2 B/W: 0.004Lux@F1.2	Color: 0.006Lux@F1.2 B/W: 0.003Lux@F1.2
	WDR	Super WDR up to 140dB	Super WDR up to 120dB		
	Mount	C/CS			
	Shutter Time	1/100000s~1/5s			
	Day&Night	ICR Filter Auto Switch			
	Video	Max. Image Resolution	1920×1080	2048×1536	2592×1520
Primary Stream		30fps@(1920×1080, 1280×960, 1280×720, 704×576)	30fps@(2048×1536, 1920×1080, 1280×960, 1280×720, 704×576)	20fps@(2592×1520), 30fps@(2304×1296, 1920×1080, 1280×960, 1280×720, 704×576)	20fps@(2560×1920, 2592×1520), 30fps@(2304×1296, 1920×1080, 1280×960, 1280×720, 704×576)
Secondary Stream		30fps@(704×576, 640×480, 640×360, 352×288, 320×240, 320×192, 320×176)			
Tertiary Stream		30fps@(1920×1080, 1280×720, 704×576, 640×480, 640×360, 320×240, 320×192, 320×176)			
Video Compression		H.265(HEVC)/H.264/MJPEG			
Video Bit Rate		16Kbps~16Mbps(CBR/VBR Adjustable)			
Image Setting		Brightness/Contrast/Saturation/Sharpness			
Network	Ethernet	1*RJ45 10M/100M Ethernet Port			
	Network Storage	NAS(Support NFS, SMB/CIFS)			
	Protocol	IPv4/IPv6, TCP, UDP, RTP, RTSP, RTCP, HTTP, HTTPS, DNS, DDNS, DHCP, FTP, NTP, SMTP, SNMP, UPnP, SIP, PPPoE, VLAN			
Audio	Audio Compression	G.711/AAC			
	Audio I/O	1/1			
System	Alarm I/O	1/1			
	Storage	Support microSD/SDHC/SDXC Local Storage, up to 128G			
	Advanced Function	Motion Detection, Privacy Masking, Backlight Compensation, HLC, 3D-DNR, ROI, Anti-fog			
	SIP/VoIP Support	Yes, Voice & Video-over-IP			
	Event Trigger	Motion Detection, Network Disconnection, Audio Alarm, External Input, etc.			
	Event Action	FTP Upload/ SMTP Upload/ SD Card Record/ External Output/ SIP Phone			
System Compatibility	ONVIF Profile S				
General	Working Temperature	-30℃~60℃			
	Working Humidity	0~90%(Non-condensing)			
	Power Supply	PoE/ DC 12V±10%			
	Power Consumption	2.5W MAX	3W MAX	2.5W MAX	
	Weight	375g			
	Dimensions	116mmX60mmX50mm			
	Warranty	3/5 Years			

V7.04

H.265 Day&Night Pro Box Network Camera



Structure Diagrams



Units: mm

Naming Convention



Milesight Technology Co.,Ltd. | www.milesight.com

MILESIGHT CHINA
Add: No.23 Wanghai Road, 2nd Software Park, Xiamen, China
Tel: +86-592-5922772 Mail: sales@milesight.com



MILESIGHT USA
Add: 7509 N.W. 36th Street, Miami, Florida 33166, USA
Tel: +1-305-764-3474 Mail: sales@milesightusa.com

