

2/3/4/5 Megapixel H.265 Remote Focus&Zoom Mini Bullet Network Camera


IP67
Motorized Lens
**MS-C2963-F(I)PB/MS-C3763-F(I)PB/
MS-C4463-F(I)PB/MS-C5363-F(I)PB**
DATASHEET

KEY FEATURES

- ▶ **H. 265** (50% reduction in bandwidth, storage and bit rate compared with H.264.)
- ▶ **Powerful IR LEDs** (Equipped with 3rd generation dot matrix IR LEDs, guaranteeing excellent image quality, long lifespan and energy efficiency.)
- ▶ **Advanced Functions** (Boasting to support various advanced functions such as HLC, Defog, ROI.)
- ▶ **128G** (Supporting ultra-large external microSD/SDHC/SDXC storage up to 128G.)

0.002Lux Ultra Low-light

The starlight camera is able to deliver high detailed color images even in low light environment reaching 0.002Lux(Color) or 0Lux(B/W), and near infrared light environments without any supplementary lighting.



140dB Super WDR

Milesight's sensor-based WDR technology allows the camera to record greater scene details with true color reproduction even under the extreme back light and high contrast conditions. The ratio that the brightest light signal values divided by the darkest light signal values is up to 140dB.

Waterproofing Design

For easy management and waterproofing, the camera is also equipped with a mounting bracket that conceals the cable within, offering a well-rounded protection of the cable from any water, dust or shock damages.



Easily Adjustable 3-Axis Bracket

The Remote Focus&Zoom Mini Bullet Network Camera is easy to install on a wall or ceiling. It features 3-axis bracket which provides a robust mounting platform for tidy installation and camera angle adjustments on a 3-axis plane.

H.265 Remote Focus&Zoom Mini Bullet Network Camera



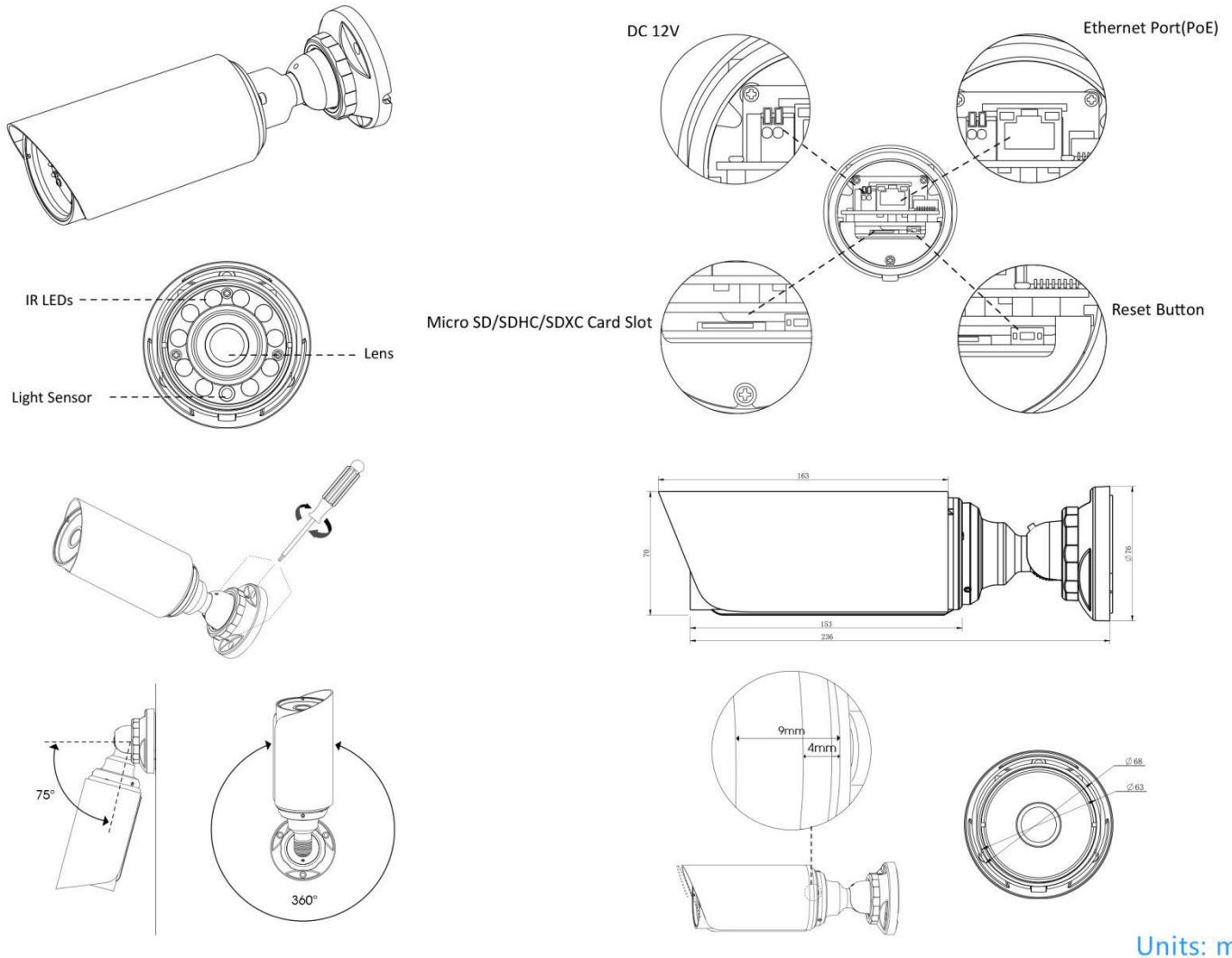
	Model	MS-C2963-F(I)PB (2MP)	MS-C3763-F(I)PB (3MP)	MS-C4463-F(I)PB (4MP)	MS-C5363-F(I)PB (5MP)
Camera	Image Sensor	1/2.8" Progressive Scan CMOS		1/3" Progressive Scan CMOS	1/2.9" Progressive Scan CMOS
	Min. Illumination	Color: 0.002Lux@F1.2 B/W: 0Lux with IR on	Color: 0.005Lux@F1.2 B/W: 0Lux with IR on	Color: 0.008Lux@F1.2 B/W: 0Lux with IR on	Color: 0.006Lux@F1.2 B/W: 0Lux with IR on
	WDR	Super WDR up to 140dB		Super WDR up to 120dB	
	Lens	Motorized 2.8~12mm @F1.4 P-Iris(Optional)			
	Mount	Φ14			
	Field of View	H99.1°~ H35.6°(2.8~12mm)	H83.5°~ H31.4°(2.8~12mm)	H87.9°~H32.6°(2.8~12mm)	H70.2°~H26.6°(2.8~12mm)
	Shutter Time	1/100000s~1/5s			
	IR Distance	Up to 25m			
	Day&Night	ICR Filter Auto Switch			
Video	Max. Image Resolution	1920×1080	2048x1536	2592×1520	2560×1920
	Primary Stream	30fps@(1920×1080, 1280×960, 1280×720, 704x576)	30fps@(2048x1536, 1920×1080, 1280×960, 1280×720, 704x576)	20fps@(2592×1520), 30fps@(2304x1296, 1920×1080, 1280×960, 1280×720, 704x576)	20fps@(2560×1920, 2592×1520), 30fps@(2304x1296, 1920×1080, 1280×960, 1280×720, 704x576)
	Secondary Stream	30fps@(704x576, 640×480, 640×360, 352x288, 320x240, 320x192, 320x176)			
	Tertiary Stream	30fps@(1920×1080, 1280×720, 704×576, 640×480, 640×360, 320×240, 320x192, 320x176)			
	Video Compression	H.265(HEVC)/H.264/MJPEG			
	Video Bit Rate	16Kbps~16Mbps(CBR/VBR Adjustable)			
	Image Setting	Brightness/Contrast/Saturation/Sharpness			
Network	Ethernet	1*RJ45 10M/100M Ethernet Port			
	Network Storage	NAS(Support NFS, SMB/CIFS)			
	Protocol	IPv4/IPv6, TCP, UDP, RTP, RTSP, RTCP, HTTP, HTTPS, DNS, DDNS, DHCP, FTP, NTP, SMTP, SNMP, UPnP, SIP, PPPoE, VLAN			
	Storage	Support microSD/SDHC/SDXC Local Storage, up to 128G			
	Advanced Function	Motion Detection, Privacy Masking, Backlight Compensation, HLC, 3D-DNR, ROI, Anti-fog			
	SIP/VoIP Support	Yes, Voice & Video-over-IP			
	Event Trigger	Motion Detection, Network Disconnection, etc.			
	Event Action	FTP Upload/ SMTP Upload/ SD Card Record/ SIP Phone			
System Compatibility	ONVIF Profile S				
General	Working Temperature	-30℃~60℃			
	Working Humidity	0~90%(Non-condensing)			
	Power Supply	PoE/ DC 12V±10%			
	Power Consumption	5.5W MAX 9.5W MAX (With IR on)	6W MAX 9.5W MAX (With IR on)	4.5W MAX 7W MAX (With IR on)	
	Weather Proof	Up to IP67-rated for Weather-resistant Performance			
	Housing	Vandal-proof IK10-rated Metal Housing			
	Weight	820g			
	Dimensions	Φ76mmX236mm			
Warranty	3/5 Years				

V7.04

H.265 Remote Focus&Zoom Mini Bullet Network Camera



Structure Diagrams



Units: mm

Accessories Support

A01 Pole mount with stainless steel straps

Weight: 720g
Dimensions: 170*51.5*152.6mm



A02 Corner bracket

Weight: 540g
Dimensions: 170*23.2*205.3mm



A03 Corner bracket

Weight: 900g
Dimensions: 170*152.6*76.3mm



Naming Convention



Milesight Technology Co.,Ltd. | www.milesight.com

MILESIGHT CHINA
Add: No.23 Wanghai Road, 2nd Software Park, Xiamen, China
Tel: +86-592-5922772 Mail: sales@milesight.com

MILESIGHT USA
Add: 7509 N.W. 36th Street, Miami, Florida 33166, USA
Tel: +1-305-764-3474 Mail: sales@milesightusa.com

