

# 2/4/5 Megapixel H.265 Vandal-proof Mini Dome Network Camera



IK10

IP67

MS-C2973-PB/MS-C4473-PB/  
MS-C5373-PB

DATASHEET

## KEY FEATURES

- ▶ H.265+ (70~80% reduction in bandwidth, storage and bit rate compared with H.264.)
- ▶ Advanced Functions (Boasting to support various advanced functions such as HLC, Defog, ROI.)
- ▶ Built-in Microphone (Supporting audio function to hear what is happening in front of the camera.)
- ▶ IP67-Rated Weather-proof (IP-67 rated weather-proof housing protects the camera against humidity and dust.)
- ▶ SIP (Session Initiation Protocol. Providing audio/alarm/intercom and video streaming for mobile phones and video phones.)
- ▶ 128G (Supporting ultra-large external microSD/SDHC/SDXC card storage up to 128G.)

## Video Content Analysis

Milesight VCA with 8 detection modes provides advanced, accurate smart video analysis for Milesight network cameras, enabling the comprehensive surveillance function and quicker response to different monitoring scenes.



## 0.002Lux Ultra Low-light

The starlight camera is able to deliver high detailed color images even in low light environment reaching 0.002Lux(Color) or 0Lux(B/W), and near infrared light environments without any supplementary lighting.

## 140dB Super WDR

Milesight's sensor-based WDR technology allows the camera to record greater scene details with true color reproduction even under the extreme back light and high contrast conditions. The ratio that the brightest light signal values divided by the darkest light signal values is up to 140dB.



## IK10-Rated Vandal-proof

With IK10-rated vandal-proof metal base and polycarbonate cover, the camera is rugged enough to withstand high impact force, shock, maintaining stable and reliable video, making it suitable for using in high-risk environments.

# H.265 Vandal-proof Mini Dome Network Camera



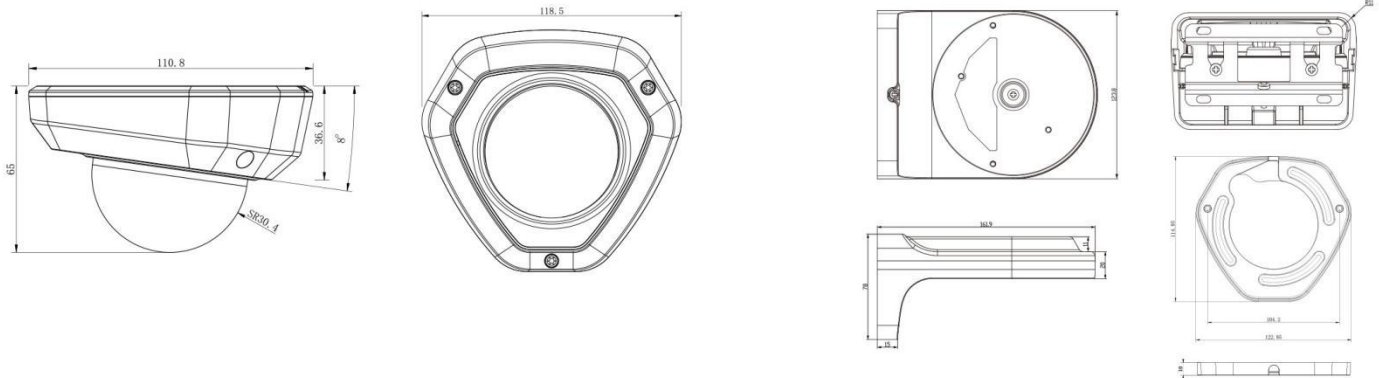
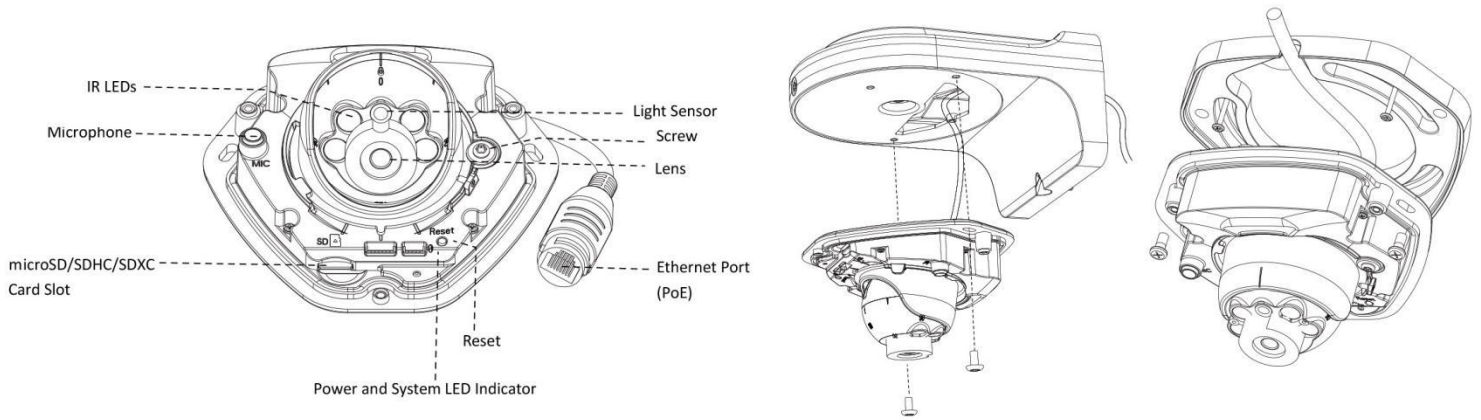
	Model	MS-C2973-PB (2MP)	MS-C4473-PB (4MP)	MS-C5373-PB (5MP)
<b>Camera</b>	Image Sensor	1/2.8" Progressive Scan CMOS	1/3" Progressive Scan CMOS	1/2.9" Progressive Scan CMOS
	Min. Illumination	Color: 0.002Lux@F1.2 B/W: 0Lux with IR on	Color: 0.008Lux@F1.2 B/W: 0Lux with IR on	Color: 0.006Lux@F1.2 B/W: 0Lux with IR on
	WDR	Super WDR up to 140dB	Super WDR up to 120dB	
	Lens	3.6mm/2.8mm @F1.6		
	Mount	M12		
	Field of View	H84.6°/D99.2°/V45.2°(3.6mm)	H77.7°/D91.8°/V43.8°(3.6mm)	H65.9°/D82.5°/V50.1°(3.6mm)
	Shutter Time	1/100000s~1/5s		
	IR Distance	Up to 25m		
	Day&Night	ICR Filter Auto Switch		
<b>Video</b>	Max. Image Resolution	1920×1080	2592×1520	2560×1920
	Primary Stream	30fps@(1920×1080, 1280×960, 1280×720, 704×576)	20fps@(2592×1520), 30fps@(2304×1296, 1920×1080, 1280×960, 1280×720, 704×576)	20fps@(2560×1920, 2592×1520), 30fps@(2304×1296, 1920×1080, 1280×960, 1280×720, 704×576)
	Secondary Stream	30fps@(704×576, 640×480, 640×360, 352×288, 320×240, 320×192, 320×176 )		
	Tertiary Stream	30fps@(1920×1080, 1280×720, 704×576, 640×480, 640×360, 320×240, 320×192, 320×176 )		
	Video Compression	H.265+/H.265(HEVC)/H.264+/H.264/MJPEG		
	Video Bit Rate	16Kbps~16Mbps(CBR/VBR Adjustable)		
	Image Setting	Brightness/Contrast/Saturation/Sharpness		
<b>Network</b>	Ethernet	1*RJ45 10M/100M Ethernet Port		
	Network Storage	NAS(Support NFS, SMB/CIFS)		
	Protocol	IPv4/IPv6, TCP, UDP, RTP, RTSP, RTCP, HTTP, HTTPS, DNS, DDNS, DHCP, FTP, NTP, SMTP, SNMP, UPnP, SIP, PPPoE, VLAN, 802.1x		
<b>Audio</b>	Audio Streaming	Built-in Microphone		
	Audio Compression	G.711/AAC		
<b>System</b>	Storage	Support microSD/SDHC/SDXC Card Local Storage, up to 128G		
	Advanced Function	Motion Detection, Privacy Masking, Backlight Compensation, HLC, 3D-DNR, ROI, Anti-fog		
	SIP/VoIP Support	Yes, Voice & Video-over-IP		
	Event Trigger	Motion Detection, Network Disconnection, Audio Alarm, etc.		
	Event Action	FTP Upload/ SMTP Upload/ SD Card Record/ SIP Phone		
	Video Analysis (Optional)	Region Entrance, Region Exiting, Advanced Motion Detection, Tamper Detection, Line Crossing, Loitering, Human Detection, People Counting		
	System Compatibility	ONVIF Profile S		
<b>General</b>	Working Temperature	-30℃~60℃		
	Working Humidity	0~90%(Non-condensing)		
	Power Supply	PoE		
	Power Consumption	2.5W MAX 5W MAX (With IR on)	2.5W MAX 5.5W MAX (With IR on)	
	Weather Proof	Up to IP67-rated for Weather-resistant Performance		
	Housing	Vandal-proof IK10-rated Metal Housing		
	Weight	500g		
	Dimensions	110.8mmX118.5mmX65mm		
Warranty	3/5 Years			

V7.15

# H.265 Vandal-proof Mini Dome Network Camera



## Structure Diagrams



Units: mm

## Accessories Support

A01 Pole mount with stainless steel straps  
Weight: 720g  
Dimension: 170\*51.5\*152.6mm



A02 Corner bracket  
Weight: 540g  
Dimension: 170\*23.2\*205.3mm



A03 Corner bracket  
Weight: 900g  
Dimension: 170\*152.6\*76.3mm



A71 Wall mount  
Weight: 531g  
Dimension: 162\*124\*78mm



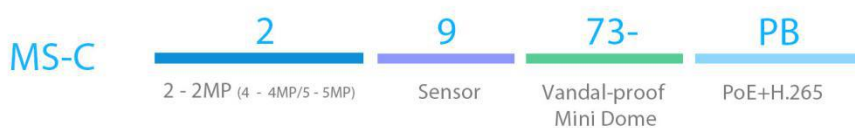
A73 Adapter Plate  
Weight: 28g  
Dimension: 115\*122.5\*10mm



A74 Junction Box  
Weight: 60g  
Dimensions: 121.5\*116.5\*37.2



## Naming Convention



Milesight Technology Co.,Ltd. | [www.milesight.com](http://www.milesight.com)  
Contact Us: [sales@milesight.com](mailto:sales@milesight.com) [support@milesight.com](mailto:support@milesight.com)



Add: 7509 N.W. 36th Street, Miami, Florida 33166, USA  
Tel: +1-800-561-0485

Add: 9F/901, Star Valley B/D Digital-ro 9gil 99, Geumcheon-gu, Seoul, Korea  
Tel: +82-2-839-3335

Add: No.23 Wanghai Road, 2nd Software Park, Xiamen, China  
Tel: +86-592-5922772