

# 2/3/4/5 Megapixel H.265 Motorized Pro Bullet Network Camera



MS-C2862-(R)F(I)PB/MS-C2962-(R)F(I)PB  
 MS-C3762-F(I)PB/MS-C4462-(H)F(I)PB  
 MS-C5362-(H)F(I)PB

**DATASHEET**

## KEY FEATURES

- ▶ **Smart Stream** (Bandwidth, storage and bit rate save with Smart Stream ON, eg, H.265+ save 70%~80% bandwidth of H.264.)
- ▶ **Smart IR II** (Combining the High Beam and Low Beam to adjust IR intensity to fit different lighting conditions.)
- ▶ **HLC** (High Light Compensation. Improving image visibility under strong light sources.)
- ▶ **P-Iris** (Giving you a more clear scene with depth of view.)
- ▶ **Defog** (Defog technology. Restoring clear images in hazy and foggy weather.)
- ▶ **Integrated Cable Management** (Combining the power interface, PoE port, and other interfaces in the base neatly.)
- ▶ **128G** (Supporting ultra-large external microSD/SDHC/SDXC card storage up to 128G.)

## Video Content Analysis

Milesight VCA with 8 detection modes provides advanced, accurate smart video analysis for Milesight network cameras, enabling the comprehensive surveillance function and quicker response to different monitoring scenes.

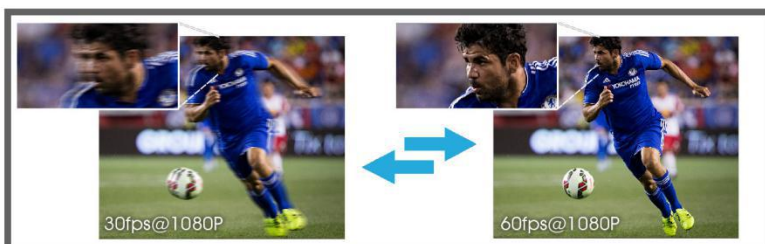


## 0.001Lux Ultra Low-light

The starlight camera is able to deliver high detailed color images even in low light environment reaching 0.001Lux(Color) or 0Lux(B/W), and near infrared light environments without any supplementary lighting.

## 140dB Super WDR

Milesight's sensor-based WDR technology allows the camera to record greater scene details with true color reproduction even under the extreme back light and high contrast conditions. The ratio that the brightest light signal values divided by the darkest light signal values is up to 140dB.



## 60fps

The camera offers super high frame rate up to 60fps@1080P resolution which is double the number of frames offered by conventional HD network cameras. This technology enables the camera to capture stable and latency free clear images on fast moving objects.

# H.265 Motorized Pro Bullet Network Camera

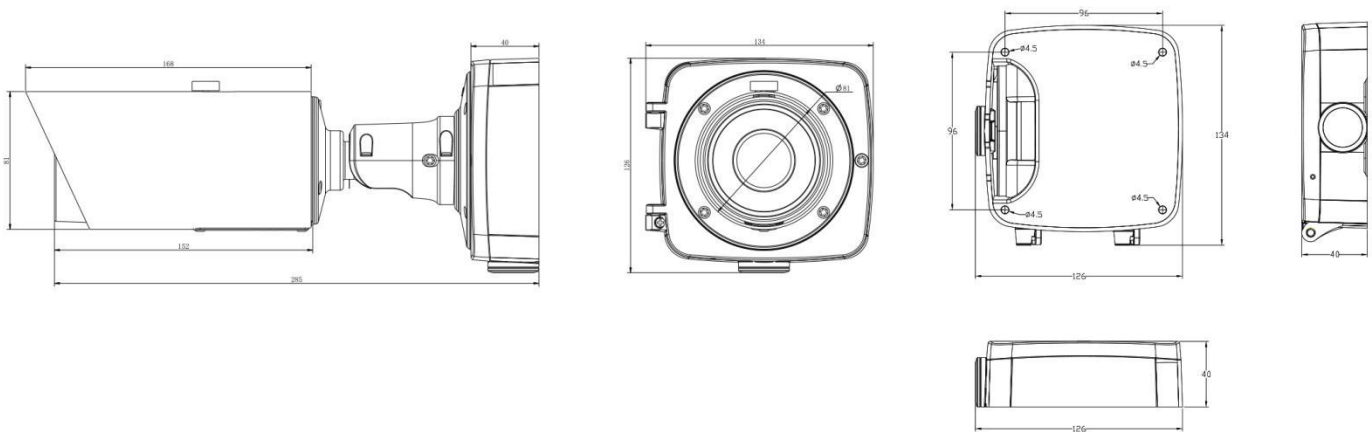
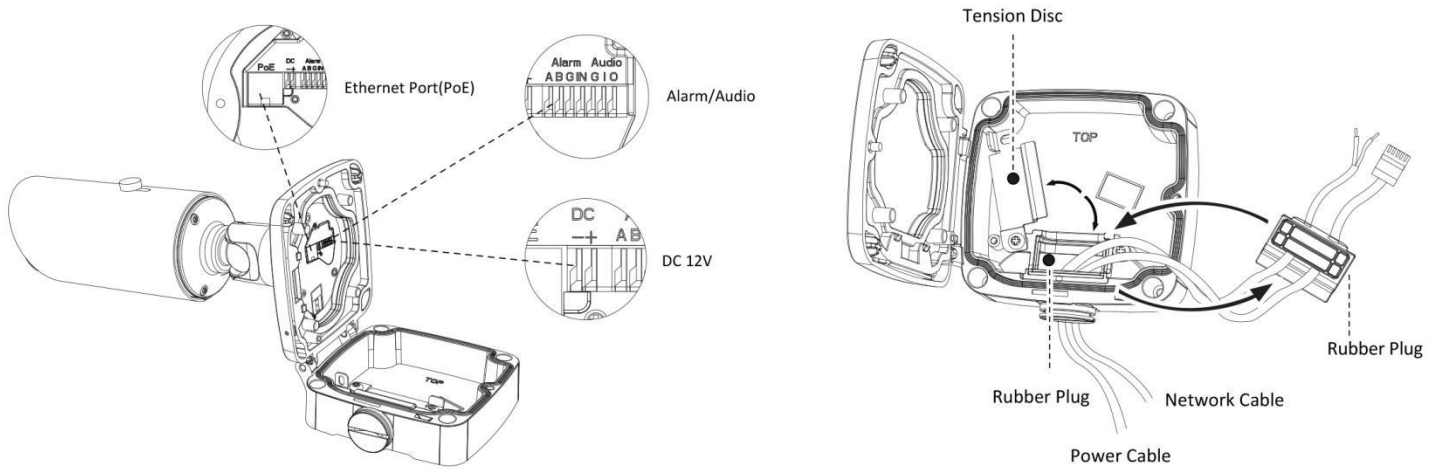


	Model	MS-C2862-(R)F(I)PB (2MP)	MS-C2962-(R)F(I)PB (2MP)	MS-C3762-F(I)PB (3MP)	MS-C4462-(H)F(I)PB (4MP)	MS-C5362-(H)F(I)PB (5MP)	
Camera	Image Sensor	1/2" Progressive Scan CMOS		1/2.8" Progressive Scan CMOS		1/3" Progressive Scan CMOS	
	Min. Illumination	Color: 0.001Lux@F1.2 B/W: 0Lux with IR on	Color: 0.002Lux@F1.2 B/W: 0Lux with IR on	Color: 0.005Lux@F1.2 B/W: 0Lux with IR on	Color: 0.008Lux@F1.2 B/W: 0Lux with IR on	Color: 0.005Lux@F1.2 B/W: 0Lux with IR on	
	WDR	Super WDR up to 140dB			Super WDR up to 120dB		
	Lens	Motorized 3.6~10mm @F1.4 P-Iris(Optional)		Motorized 3.0~10.5mm/2.8~12mm/7~22mm @F1.4 P-Iris(Optional)			
	Mount	Φ14					
	Field of View	H96°~H42°/ D111°~D48°/ V55°~V23°	H93°~H33°/D107°~D38° /V52°~V18° (3.0~10.5m) H91°~H34°/D105°~D39° /V51°~V19° (2.8~12mm) H40°~H16°/D46°~D19° /V23°~V9° (7~22mm)	H84°~H30°/D105°~D37° /V63°~V22° (3.0~10.5mm) H79°~H31°/D98°~D38° /V59°~V23° (2.8~12mm) H38°~H15°/D51°~D19° /V28°~V11° (7~22mm)	H85°~H30°/D99°~D35° /V48°~V17° (3.0~10.5mm) H76°~H31°/D88°~D36° /V45°~V18° (2.8~12mm) H36°~H15°/D41°~D17° /V22°~V8° (7~22mm)	H90°~H31°/D114°~D38° /V67°~V23° (3.0~10.5mm) H87°~H31°/D110°~D39° /V65°~V24° (2.8~12mm) H37°~H15°/D47°~D19° /V28°~V11° (7~22mm)	
	Shutter Time	1/100000s~1s					
	IR Distance	Up to 60m(3.0~10.5mm)/ 100m(7~22mm)					
	Day&Night	ICR Filter Auto Switch					
Video	Max. Image Resolution	1920×1080		2048×1536	2592×1520	2560×1920	
	Primary Stream	60fps@(1920×1080) (Optional), 30fps@(1920×1080, 1280×960,1280×720, 704x576)		30fps@(2048x1536, 1920×1080, 1280×960, 1280×720, 704x576)	30fps@(2592×1520) (Optional), 20fps@(2592×1520), 30fps@(2304x1296, 1920×1080,1280×960, 1280×720, 704x576)	30fps@(2560×1920, 2592×1520)(Optional), 20fps@(2560×1920, 2592×1520), 30fps@(2304x1296, 1920×1080, 1280×960, 1280×720, 704x576)	
	Secondary Stream	30fps@(704x576, 640×480, 640×360, 352x288, 320x240, 320x192, 320x176)					
	Tertiary Stream	30fps@(1920×1080, 1280×720, 704×576, 640×480, 640×360, 320×240, 320x192, 320x176)					
	Video Compression	H.265+/H.265(HEVC)/H.264+/H.264/MJPEG					
	Video Bit Rate	16Kbps~16Mbps(CBR/VBR Adjustable)					
	Image Setting	Brightness/Contrast/Saturation/Sharpness					
Network	Ethernet	1*RJ45 10M/100M Ethernet Port					
	Network Storage	NAS(Support NFS, SMB/CIFS)					
	Protocol	IPv4/IPv6, TCP, UDP, RTP, RTSP, RTCP, HTTP, HTTPS, DNS, DDNS, DHCP, FTP, NTP, SMTP, SNMP, UPnP, SIP, PPPoE, VLAN, 802.1x, QoS, IGMP, ICMP, SSL					
Audio	Audio Compression	G.711/AAC					
	Audio I/O	1/1					
System	Alarm I/O	1/1					
	Storage	Support microSD/SDHC/SDXC Card Local Storage, up to 128G					
	Advanced Function	Motion Detection, Privacy Masking, Backlight Compensation, HLC, 2D DNR, 3D DNR, ROI, Anti-fog, White Balance					
	SIP/VoIP Support	Yes, Voice & Video-over-IP					
	Event Trigger	Motion Detection, Network Disconnection, External Input, Audio Alarm, etc.					
	Event Action	FTP Upload/ SMTP Upload/ SD Card Record/ External Output/ SIP Phone					
	Video Analysis (Optional)	Region Entrance, Region Exiting, Advanced Motion Detection, Tamper Detection, Line Crossing, Loitering, Human Detection, People Counting					
System Compatibility	ONVIF Profile S & G						
General	Working Temperature	-40℃~60℃					
	Working Humidity	0~90%(Non-condensing)					
	Power Supply	PoE (802.3af)/ DC 12V±10%					
	Power Consumption	6W MAX 10W MAX (With IR on)	6W MAX 10.5W MAX (With IR on)	6.5W MAX 10W MAX (With IR on)	5W MAX 9W MAX (With IR on)		
	Weather Proof	Up to IP67-rated for Weather-resistant Performance					
	Housing	Vandal-proof IK10-rated Metal Housing (Optional)					
	Weight	1080g					
	Dimensions	134mmX126mmX285mm					
	Warranty	3/5 Years					

# H.265 Motorized Pro Bullet Network Camera



## Structure Diagrams



Units: mm

## Accessories Support

A01 Pole Mount

Weight: 720g  
Dimensions: 170\*51.5\*152.6mm



A02 Internal Corner Bracket

Weight: 540g  
Dimensions: 170\*23.2\*205.3mm



A03 External Corner Bracket

Weight: 900g  
Dimensions: 170\*152.6\*76.3mm



A62 Junction Box

Weight: 510g  
Dimensions: 134\*127\*40mm



## Naming Convention



Milesight Technology Co.,Ltd. | [www.milesight.com](http://www.milesight.com)

Contact Us: [sales@milesight.com](mailto:sales@milesight.com) [support@milesight.com](mailto:support@milesight.com)



Add: 7509 N.W. 36th Street, Miami, Florida 33166, USA  
Tel: +1-800-561-0485

Add: 9F/901, Star Valley B/D Digital-ro 9gil 99, Geumcheon-gu, Seoul, Korea  
Tel: +82-2-839-3335

Add: No.23 Wanghai Road, 2nd Software Park, Xiamen, China  
Tel: +86-592-5922772