

2/5 Megapixel H.265 (PoE) Speed Dome Network Camera


IP66
MS-C2942-(R)(P)B/MS-5342-(H)(P)B
DATASHEET

KEY FEATURES

- ▶ **Smart Stream** (Bandwidth, storage and bit rate save with Smart Stream ON, eg, H.265+ save 70%~80% bandwidth of H.264.)
- ▶ **Smart IR II** (Combining the High Beam and Low Beam to adjust IR intensity to fit different lighting conditions.)
- ▶ **140dB Super WDR** (Excellent performance even when the ratio of the luminosity of brightest and darkest is up to 140dB.)
- ▶ **Smart PTZ Motion Detection** (Pan and tilt to the position of motion detected area automatically and zoom in synchronously.)
- ▶ **IR Distance up to 200m** (Enabling 200 meters distinct images at night with IR LEDs.)
- ▶ **255 Preset Positions** (The user can easily control the lens position via mouse to monitor interested area and set up to 255 preset positions for patrolling.)
- ▶ **Keyboard Control** (Shortcut keys for PTZ control via Milesight Keyboard.)

Video Content Analysis

Milesight VCA with 8 detection modes provides advanced, accurate smart video analysis for Milesight network cameras, enabling the comprehensive surveillance function and quicker response to different monitoring scenes.

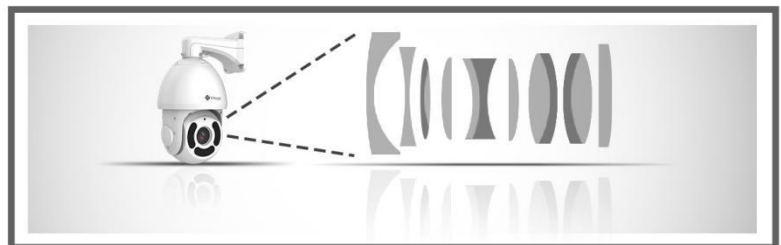


0.002Lux Ultra Low-light

The starlight camera is able to deliver high detailed color images even in low light environment reaching 0.002Lux(Color) or 0Lux(B/W), and near infrared light environments without any supplementary lighting.

23x/30x Optical Zoom

The 23x/30x optical zoom can zoom up to distant subjects while still maintaining the clarity, delivering high quality video over the entire zoom range.



360° Endless Pan, 0°~90° Auto Flip Tilt

With a sophisticated pan/tilt mechanism, Milesight Speed Dome Network Camera provides fast, precise movement with endless 360-degree pan and 90-degree tilt. The user can easily control the lens position via mouse to monitor area of interest and set up to 255 preset positions for patrolling. There are up to 8 patrol routes and maximum 4 patterns of the manual operation paths (for Pan, Tilt, Zoom and Focus) which can be set as required. Moreover, the user is able to schedule specific PTZ tasks by date and time.

H.265 (PoE) Speed Dome Network Camera

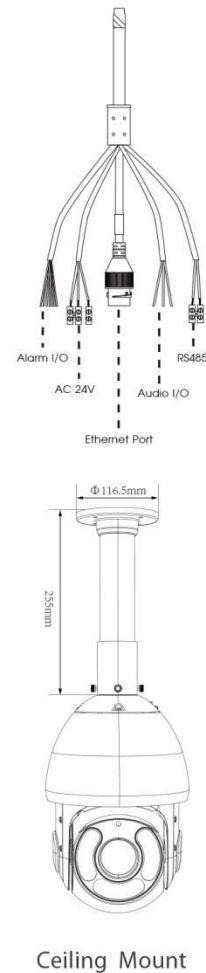
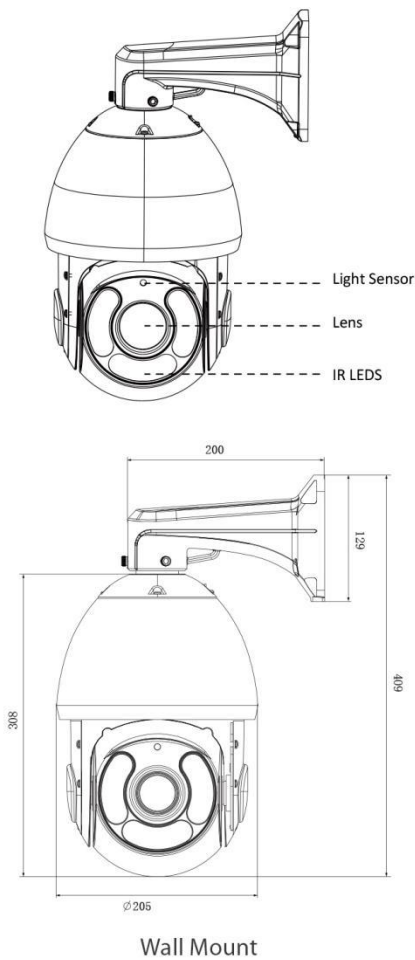


	Model	MS-C2942-(R)(P)B(2MP)	MS-C5342-(H)(P)B(5MP)
Camera	Image Sensor	1/2.8" Progressive Scan CMOS	
	Min. Illumination	Color: 0.002Lux@F1.2 B/W: 0Lux with IR on	Color: 0.005Lux@F1.2 B/W: 0Lux with IR on
	WDR	Super WDR up to 140dB	Super WDR up to 120dB
	Shutter Time	1/100000s~1s	
	Day&Night	ICR Filter Auto Switch	
	Digital Zoom	16x	
Lens	Focal Length	4.7~141mm @F1.5~F4.0, 30x Optical Zoom 5~117mm @F1.5~F3.5, 23x Optical Zoom	
	Zoom Speed	Approx 4s (Optical Wide-Tele)	
	Field of View	H62°~H3°/D70°~D3°/ V37°~V1° (4.7~141mm) H60°~H3°/D69°~D4°/ V35°~V2° (5~117mm)	H58°~H3°/D71°~D3°/ V44°~V2° (4.7~141mm) H55°~H3°/D68°~D4°/ V42°~V2° (5~117mm)
	Minimum Working Distance	10~1500mm (Wide-Tele)	
PTZ	Pan Range	360°endless	
	Pan Speed	Pan Manual Speed: 0.5°~180°/s, Pan Preset Speed: 240°/s	
	Tilt Range	0°~90°(Auto Flip)	
	Tilt Speed	Tilt Manual Speed: 0.5°~120°/s, Tilt Preset Speed: 200°/s	
	Proportional Zoom	Support	
	Preset Quantity	255	
	Patrol	8 Patrols, up to 48 presets each patrol	
	Pattern	4 Patterns	
	Power Loss Recovery	Support	
	PTZ Position Display	ON/OFF	
3D positioning	Support		
IR	IR Distance	Up to 200m	
	IR Angle	Auto/Manual	
Video	Max. Image Resolution	1920×1080	2560×1920
	Primary Stream	60fps@(1920×1080)(Optional), 30fps@(1920×1080, 1280×960, 1280×720, 704×576)	30fps@(2560×1920, 2592×1520)(Optional), 20fps@(2560×1920, 2592×1520), 30fps@(2304×1296, 1920×1080, 1280×960, 1280×720, 704×576)
	Secondary Stream	30fps@(704×576, 640×480, 640×360, 352×288, 320×240, 320×192, 320×176)	
	Tertiary Stream	30fps@(1920×1080, 1280×720, 704×576, 640×480, 640×360, 320×240, 320×192, 320×176)	
	Video Compression	H.265*/H.265(HEVC)/H.264*/H.264/MJPEG	
	Video Bit Rate	16Kbps~16Mbps(CBR/VBR Adjustable)	
Image Setting	Brightness/Contrast/Saturation/Sharpness		
Network	Ethernet	1*RJ45 10M/100M Ethernet Port	
	Network Storage	NAS(Support NFS, SMB/CIFS)	
	Protocol	IPv4/IPv6, TCP, UDP, RTP, RTSP, RTCP, HTTP, HTTPS, DNS, DDNS, DHCP, FTP, NTP, SMTP, SNMP, UPnP, SIP, PPPoE, VLAN, 802.1x, QoS, IGMP, ICMP, SSL	
Audio	Audio Compression	G.711/AAC	
	Audio I/O	1/1	
System	Alarm I/O	2/2	
	RS485	Support	
	Storage	Support microSD/SDHC/SDXC Card Local Storage, up to 128G	
	Advanced Function	Motion Detection, Privacy Masking, Backlight Compensation, HLC, 2D DNR, 3D DNR, ROI, Anti-fog, White Balance	
	SIP/VoIP Support	Yes, Voice & Video-over-IP	
	Event Trigger	Motion Detection, Network Disconnection, Audio Alarm, etc.	
	Event Action	FTP Upload/ SMTP Upload/ SD Card Record/ SIP Phone/ PTZ Motion	
Video Analysis (Optional)	Region Entrance, Region Exiting, Advanced Motion Detection, Tamper Detection, Line Crossing, Loitering, Human Detection, People Counting		
System Compatibility	ONVIF Profile S & G		
General	Working Condition	Temperature: -40°C~60°C / Humidity: 0~90%(Non-condensing)	
	Power Supply	PoE (802.3at)(Optional) / AC 24V/3A ± 10%	
	Power Consumption	16W MAX 35W MAX (With IR on)	
	Weather Proof	Up to IP66-rated for Weather-resistant Performance	
	Dimensions/Weight	Φ205mmX308mm/4Kg	
Warranty	2 Years		

H.265 (PoE) Speed Dome Network Camera



Structure Diagrams



Units: mm

Accessories Support

A41 Wall Mount
Weight: 400g
Dimensions: 200*129*100mm



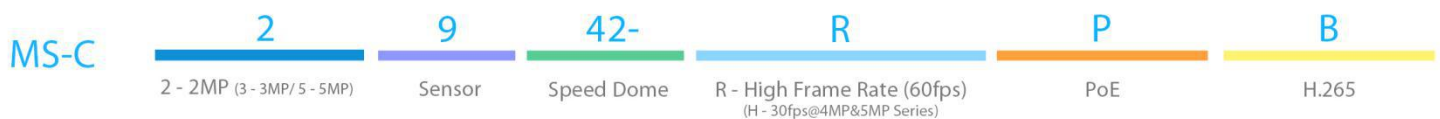
A42 Pendant Mount
Weight: 650g
Dimensions: 116.5*225mm



A43 Junction Box
Weight: 380g
Dimensions: 165*120*47.5mm



Naming Convention



Milesight Technology Co.,Ltd. | www.milesight.com

Contact Us: sales@milesight.com support@milesight.com

Add: 7509 N.W. 36th Street, Miami,
Florida 33166, USA
Tel: +1-800-561-0485

Add: 9F/901, Star Valley B/D Digital-ro
9gil 99, Geumcheon-gu, Seoul, Korea
Tel: +82-2-839-3335

Add: No.23 Wanghai Road,
2nd Software Park, Xiamen, China
Tel: +86-592-5922772

