

2/3/4/5 Megapixel H.265 Motorized Mini Bullet Network Camera



IP67

Motorized Lens

MS-C2963-(R)F(I)PB/MS-C3763-F(I)PB/
MS-C4463-F(I)PB/MS-C5363-(H)F(I)PB

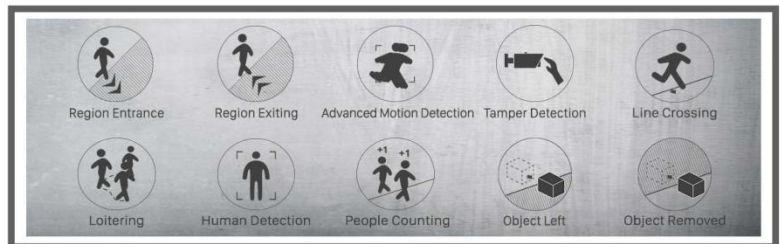
DATASHEET

KEY FEATURES

- ▶ **Smart Stream** (Bandwidth, storage and bit rate are saved with Smart Stream On, eg, H.265+ saves 70%~80% bandwidth that of H.264.)
- ▶ **Powerful IR LEDs** (Equipped with 3rd generation dot matrix IR LEDs, guaranteeing excellent image quality, long lifespan and energy efficiency.)
- ▶ **Advanced Functions** (Boasting to support various advanced functions such as HLC, Defog, ROI.)
- ▶ **128G** (Supporting ultra-large external microSD/SDHC/SDXC card storage up to 128G.)
- ▶ **Adjustable 3-Axis Bracket** (Providing a robust mounting platform for angle adjustments on a 3-axis plane.)

Video Content Analysis

Milesight VCA with 10 detection modes provides advanced, accurate smart video analysis for Milesight network cameras, enabling the comprehensive surveillance function and quicker response to different monitoring scenes.

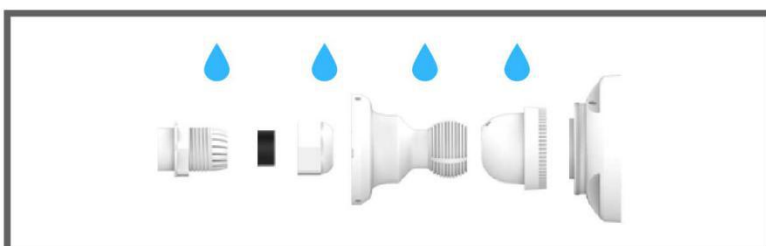


0.002Lux Ultra Low-light

The starlight camera is able to deliver high detailed color images even in low light environment reaching 0.002Lux(Color) or 0Lux(B/W), and near infrared light environments without any supplementary lighting.

140dB Super WDR

Milesight's sensor-based WDR technology allows the camera to record greater scene details with true color reproduction even under the extreme back light and high contrast conditions. The ratio that the brightest light signal values divided by the darkest light signal values is up to 140dB.



Weather-proof Design

For easy management and weather resistant, the camera is also equipped with a mounting bracket that conceals the cable within, offering a well-rounded protection of the cable from any water, dust or shock damages.

H.265 Motorized Mini Bullet Network Camera

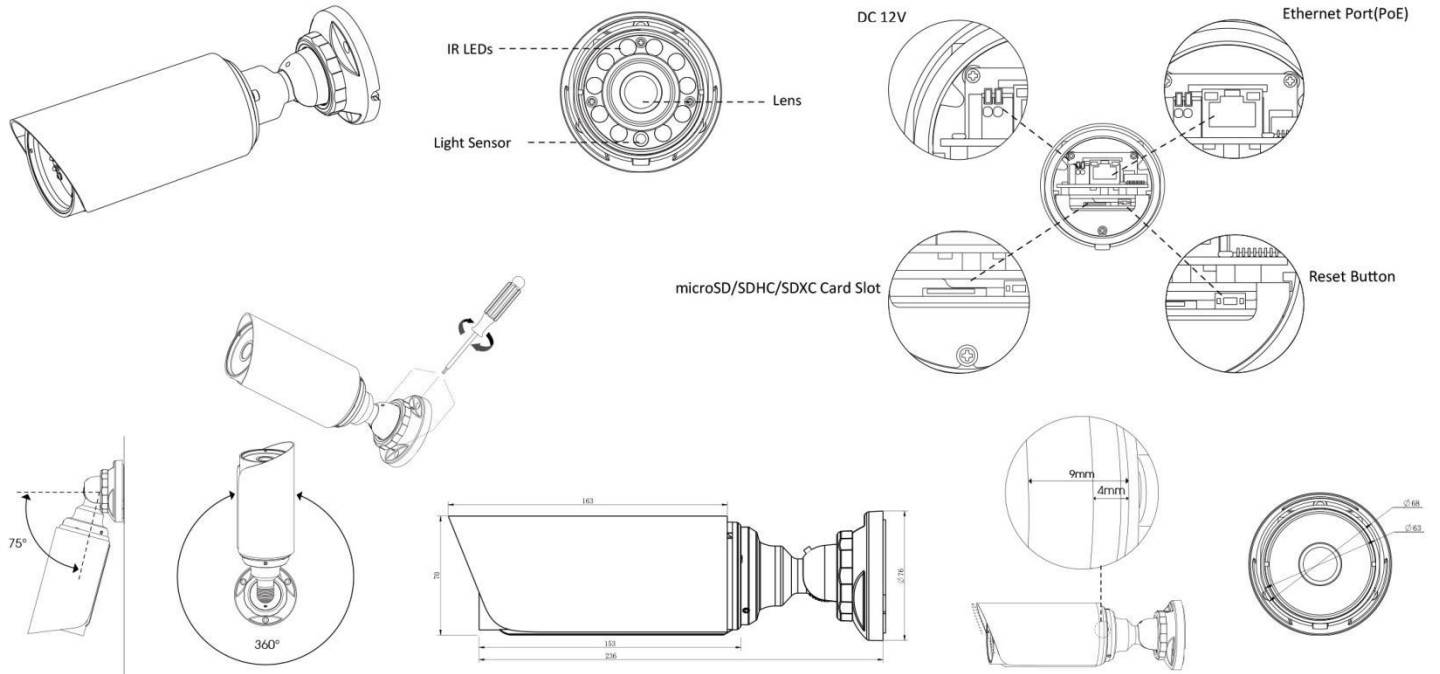


	Model	MS-C2963-(R)F(I)PB (2MP)	MS-C3763-F(I)PB (3MP)	MS-C4463-F(I)PB (4MP)	MS-C5363-(H)F(I)PB (5MP)
Camera	Image Sensor	1/2.8" Progressive Scan CMOS		1/3" Progressive Scan CMOS	1/2.8" Progressive Scan CMOS
	Min. Illumination	Color: 0.002Lux@F1.2 B/W: 0Lux with IR on	Color: 0.005Lux@F1.2 B/W: 0Lux with IR on	Color: 0.008Lux@F1.2 B/W: 0Lux with IR on	Color: 0.005Lux@F1.2 B/W: 0Lux with IR on
	WDR	140dB Super WDR	120dB Super WDR		
	Lens	Motorized 2.8~12mm @F1.4 P-Iris(Optional)			
	Mount	Φ14			
	Field of View	H86°~H33°/ D99°~D38°/ V48°~V19°	H77°~H30°/ D96°~D38°/ V58°~V23°	H80°~H31°/ D93°~D36°/ V47°~V18°	H81°~H31°/ D102°~D39°/ V61°~V23°
	Shutter Time	1/100000s~1s			
	IR Distance	Up to 45m			
	Day&Night	ICR Filter Auto Switch			
Video	Max. Image Resolution	1920x1080	2048x1536	2592x1520	2592x1944
	Primary Stream	60fps@(1920x1080) (Optional for R Series), 30fps@(1920x1080, 1280x960, 1280x720, 704x576)	30fps@(2048x1536, 1920x1080, 1280x960, 1280x720, 704x576)	20fps@(2592x1520), 30fps@(2304x1296, 1920x1080, 1280x960, 1280x720, 704x576)	30fps@(2592x1944) (Optional for H Series), 20fps@(2592x1944), 30fps@(1920x1080, 1280x960, 1280x720, 704x576)
	Secondary Stream	30fps@(704x576, 640x480, 640x360, 352x288, 320x240, 320x192, 320x176)			
	Tertiary Stream	30fps@(1920x1080, 1280x720, 704x576, 640x480, 640x360, 320x240, 320x192, 320x176)			
	Video Compression	H.265+/H.265(HEVC)/H.264+/H.264/MJPEG			
	Video Bit Rate	16Kbps~16Mbps(CBR/VBR Adjustable)			
	Image Setting	Brightness/Contrast/Saturation/Sharpness			
Network	Ethernet	1*RJ45 10M/100M Ethernet Port			
	Network Storage	NAS(Support NFS, SMB/CIFS)			
	Protocol	IPv4/IPv6, TCP, UDP, RTP, RTSP, RTCP, HTTP, HTTPS, DNS, DDNS, DHCP, FTP, NTP, SMTP, SNMP, UPnP, SIP, PPPoE, VLAN, 802.1x, QoS, IGMP, ICMP, SSL			
	Storage	Support microSD/SDHC/SDXC Card Local Storage, up to 128G			
	Advanced Function	Privacy Masking, Backlight Compensation, HLC, 2D DNR, 3D DNR, ROI, Anti-fog, White Balance, EIS, IP Address Filtering			
	SIP/VoIP Support	Yes, Voice & Video-over-IP			
	Event Trigger	Motion Detection, Network Disconnection, etc.			
	Event Action	FTP Upload, SMTP Upload, SD Card Record, SIP Phone, HTTP Notification, etc.			
	Video Analysis (Optional)	Region Entrance, Region Exiting, Advanced Motion Detection, Tamper Detection, Line Crossing, Loitering, Human Detection, People Counting, Object Left, Object Removed			
System Compatibility	ONVIF Profile S & G				
General	Working Temperature	-40℃~60℃			
	Working Humidity	0~90%(Non-condensing)			
	Power Supply	PoE (802.3af)/ DC 12V±10%			
	Power Consumption	5.5W MAX 9.5W MAX (With IR on)	6W MAX 9.5W MAX (With IR on)	4.5W MAX 7W MAX (With IR on)	
	Weather Proof	Up to IP67-rated for Weather-resistant Performance			
	Weight	820g			
	Dimensions	Φ76mmX236mm			
	Warranty	3/5 Years			

H.265 Motorized Mini Bullet Network Camera



Structure Diagrams



Units: mm

Accessories Support

A01 Pole Mount

Weight: 720g
Dimensions: 170*51.5*152.6mm



A02 Internal Corner Bracket

Weight: 540g
Dimensions: 170*23.2*205.3mm



A03 External Corner Bracket

Weight: 900g
Dimensions: 170*152.6*76.3mm



A63 Junction Box

Weight: 620g
Dimensions: 134*127*40mm



Naming Convention



Milesight Technology Co.,Ltd. | www.milesight.com

Contact Us: sales@milesight.com support@milesight.com

Add: 220 NE 51st Street, Oakland Park, Florida 33334, USA
Tel: +1-800-561-0485

Add: 925, Anyang SK V1 Center, LS-ro 116beon-gil, Dongan-gu, Anyang-si, Korea
Tel: +82-31-990-7772

Add: No.23 Wanghai Road, 2nd Software Park, Xiamen, China
Tel: +86-592-5922772

