

2/3/4/5 Megapixel H.265 Mini Bullet Network Camera



IP67

MS-C2963-(T)(R)PB/MS-C3763-PB/
MS-C4463-(H)PB/MS-C5363-(H)PB

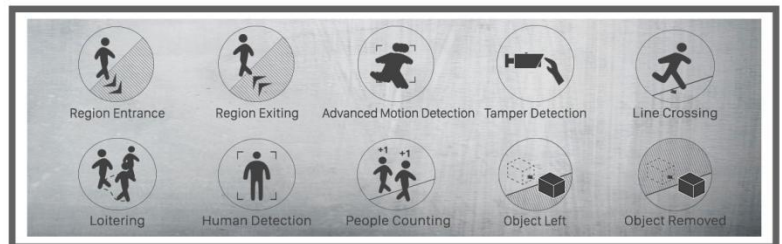
DATASHEET

KEY FEATURES

- ▶ **Smart Stream** (Bandwidth, storage and bit rate are saved with Smart Stream On, eg, H.265+ saves 70%~80% bandwidth that of H.264.)
- ▶ **Powerful IR LEDs** (Equipped with 3rd generation dot matrix IR LEDs, guaranteeing excellent image quality, long lifespan and energy efficiency.)
- ▶ **Advanced Functions** (Boasting to support various advanced functions such as HLC, Defog, ROI.)
- ▶ **128G** (Supporting ultra-large external microSD/SDHC/SDXC card storage up to 128G.)
- ▶ **Adjustable 3-Axis Bracket** (Providing a robust mounting platform for angle adjustments on a 3-axis plane.)

Video Content Analysis

Milesight VCA with 10 detection modes provides advanced, accurate smart video analysis for Milesight network cameras, enabling the comprehensive surveillance function and quicker response to different monitoring scenes.



0.002Lux Ultra Low-light

The starlight camera is able to deliver high detailed color images even in low light environment reaching 0.002Lux(Color) or 0Lux(B/W), and near infrared light environments without any supplementary lighting.

3 IN 1 WDR Pro

The next generation WDR Pro outputs three frames each line, which is able to bring more details especially for moving objects. What's more, it greatly improves image quality for reducing smear. By performing special signal processing, the feature enables to improve pictures' quality especially under low illumination.



Weather-proof Design

For easy management and weather resistant, the camera is also equipped with a mounting bracket that conceals the cable within, offering a well-rounded protection of the cable from any water, dust or shock damages.

H.265 Mini Bullet Network Camera

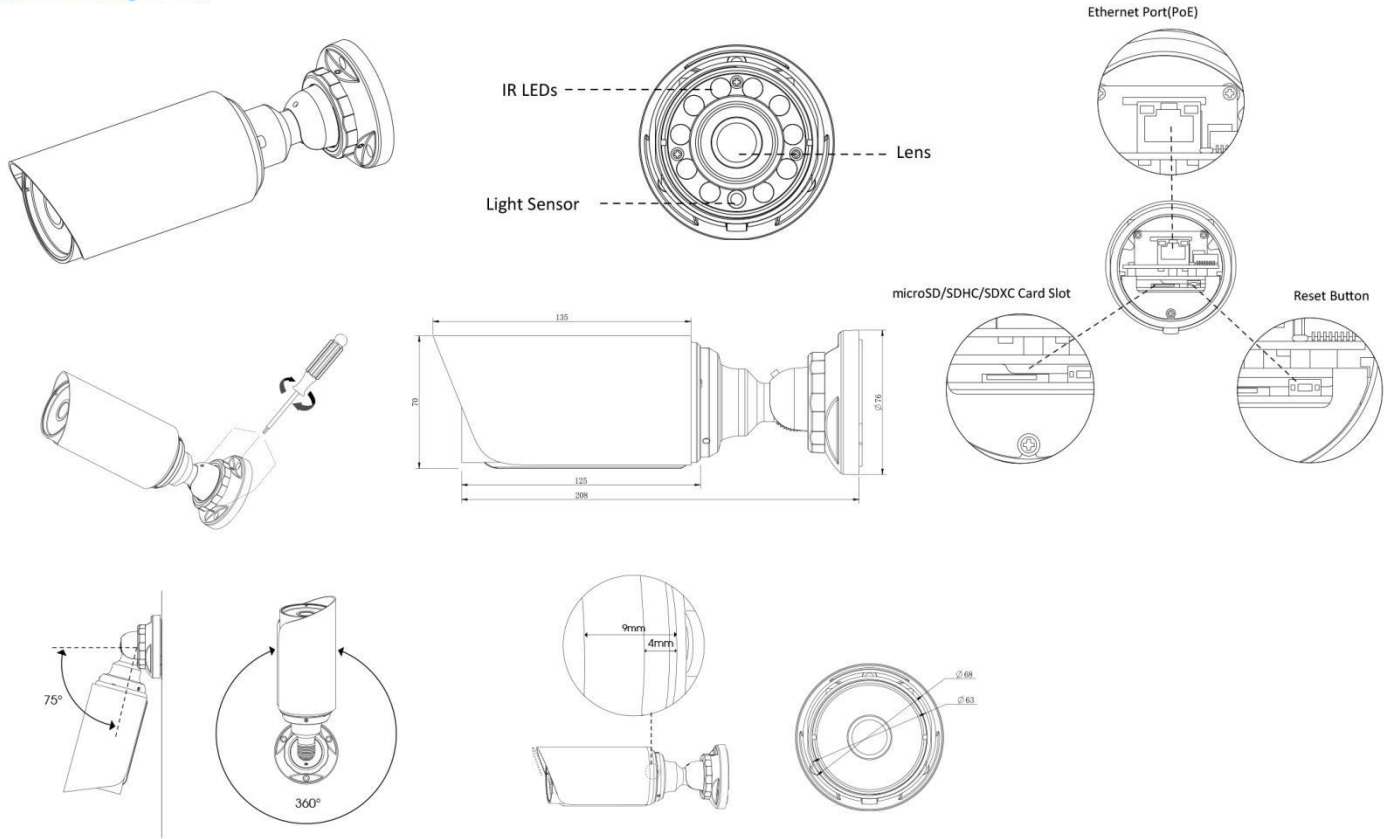


	Model	MS-C2963-(T)(R)PB (2MP)	MS-C3763-PB (3MP)	MS-C4463-(H)PB (4MP)	MS-C5363(H)PB (5MP)	
Camera	Image Sensor	1/2.8" Progressive Scan CMOS		1/3" Progressive Scan CMOS	1/2.8" Progressive Scan CMOS	
	Min. Illumination	Color: 0.002Lux@F1.2 B/W: 0Lux with IR on	Color: 0.005Lux@F1.2 B/W: 0Lux with IR on	Color: 0.008Lux@F1.2 B/W: 0Lux with IR on	Color: 0.005Lux@F1.2 B/W: 0Lux with IR on	
	WDR	Super WDR up to 140dB		Super WDR up to 120dB		
	Lens	4mm/6mm @F1.6				
	Mount	M12				
	Field of View	H81°/D93°/V46°(4mm) H56°/D65°/V32°(6mm)	H75°/D94°/V57°(4mm) H52°/D65°/V39°(6mm)	H76°/D88°/V45°(4mm) H53°/D61°/V31°(6mm)	H75°/D94°/V56°(4mm) H52°/D65°/V39°(6mm)	
	Shutter Time	1/100000s~1s				
	IR Distance	Up to 30m / 40m (Optional)				
	Day&Night	ICR Filter Auto Switch				
Video	Max. Image Resolution	1920x1080	2048x1536	2592x1520	2592x1944	
	Primary Stream	90fps@(1920x1080) (Optional for T Series), 60fps@(1920x1080) (Optional for R Series), 30fps@(1920x1080, 1280x960, 1280x720, 704x576)	30fps@(2048x1536, 1920x1080, 1280x960, 1280x720, 704x576)	30fps@(2592x1520) (Optional), 20fps@(2592x1520), 30fps@(2304x1296, 1920x1080, 1280x960, 1280x720, 704x576)	30fps@(2592x1944) (Optional), 20fps@(2592x1944), 30fps@(1920x1080, 1280x960, 1280x720, 704x576)	
	Secondary Stream	30fps(704x576, 640x480, 640x360, 352x288, 320x240, 320x192, 320x176)				
	Tertiary Stream	30fps@(1920x1080, 1280x720, 704x576, 640x480, 640x360, 320x240, 320x192, 320x176)				
	Video Compression	H.265+/H.265(HEVC)/H.264+/H.264/MJPEG				
	Video Bit Rate	16Kbps~16Mbps(CBR/VBR Adjustable)				
	Image Setting	Brightness/Contrast/Saturation/Sharpness				
Network	Ethernet	1*RJ45 10M/100M Ethernet Port				
	Network Storage	NAS(Support NFS, SMB/CIFS)				
	Protocol	IPv4/IPv6, TCP, UDP, RTP, RTSP, RTCP, HTTP, HTTPS, DNS, DDNS, DHCP, FTP, NTP, SMTP, SNMP, UPnP, SIP, PPPoE, VLAN, 802.1x, QoS, IGMP, ICMP, SSL				
	Storage	Support microSD/SDHC/SDXC Card Local Storage, up to 128G				
	Advanced Function	Motion Detection, Privacy Masking, Backlight Compensation, HLC, 2D DNR, 3D DNR, ROI, Anti-fog, White Balance, EIS, IP Address Filtering				
	SIP/VoIP Support	Yes, Voice & Video-over-IP				
	Event Trigger	Motion Detection, Network Disconnection, etc.				
	Event Action	FTP Upload/ SMTP Upload/ SD Card Record/ SIP Phone				
	Video Analysis (Optional)	Region Entrance, Region Exiting, Advanced Motion Detection, Tamper Detection, Line Crossing, Loitering, Human Detection, People Counting, Object Left, Object Removed				
System Compatibility	ONVIF Profile S & G					
General	Working Temperature	-40℃~60℃				
	Working Humidity	0~90%(Non-condensing)				
	Power Supply	PoE (802.3af)				
	Power Consumption	2.5W MAX 5W MAX (With IR on)	2.5W MAX 5.5W MAX (With IR on)	2.5W MAX 5W MAX (With IR on)		
	Weather Proof	Up to IP67-rated for Weather-resistant Performance				
	Weight	765g				
	Dimensions	Φ76mmX208mm				
	Warranty	3/5 Years				

H.265 Mini Bullet Network Camera



Structure Diagrams



Units: mm

Accessories Support

A01 Pole Mount

Weight: 720g
Dimensions: 170*51.5*152.6mm



A02 Internal Corner Bracket

Weight: 540g
Dimensions: 170*23.2*205.3mm



A03 External Corner Bracket

Weight: 900g
Dimensions: 170*152.6*76.3mm



A63 Junction Box

Weight: 620g
Dimensions: 134*127*40mm



Naming Convention



Milesight Technology Co.,Ltd. | www.milesight.com

Contact Us: sales@milesight.com support@milesight.com



Add: 220 NE 51st Street, Oakland Park, Florida 33334, USA
Tel: +1-800-561-0485

Add: 9F/901, Star Valley B/D Digital-ro 9gil 99, Geumcheon-gu, Seoul, Korea
Tel: +82-2-839-3335

Add: No.23 Wanghai Road, 2nd Software Park, Xiamen, China
Tel: +86-592-5922772

