

2/3/4/5 Megapixel H.265 Motorized Pro Bullet Network Camera



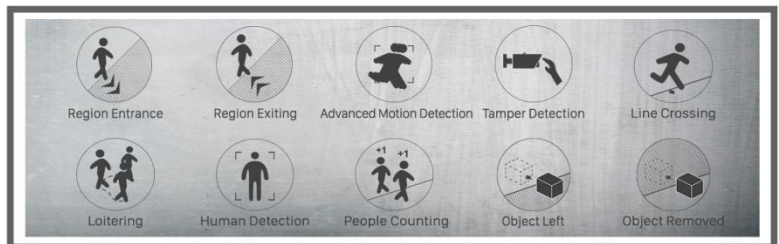
DATASHEET

KEY FEATURES

- ▶ **Smart Stream** (Bandwidth, storage and bit rate are saved with Smart Stream On, eg, H.265+ saves 70%~80% bandwidth that of H.264.)
- ▶ **Smart IR II** (Combining the High Beam and Low Beam to adjust IR intensity to fit different lighting conditions.)
- ▶ **HLC** (High Light Compensation. Improving image visibility under strong light sources.)
- ▶ **P-Iris** (Giving you a more clear scene with depth of view.)
- ▶ **Defog** (Defog technology. Restoring clear images in hazy and foggy weather.)
- ▶ **Integrated Cable Management** (Combining the power interface, PoE port, and other interfaces in the base neatly.)
- ▶ **128G** (Supporting ultra-large external microSD/SDHC/SDXC card storage up to 128G.)

Video Content Analysis

Milesight VCA with 10 detection modes provides advanced, accurate smart video analysis for Milesight network cameras, enabling the comprehensive surveillance function and quicker response to different monitoring scenes.



0.001Lux Ultra Low-light

The starlight camera is able to deliver high detailed color images even in low light environment reaching 0.001Lux(Color) or 0Lux(B/W), and near infrared light environments without any supplementary lighting.



3 IN 1 WDR Pro

The next generation WDR Pro outputs three frames each line, which is able to bring more details especially for moving objects. What's more, it greatly improves image quality for reducing smear. By performing special signal processing, the feature enables to improve pictures' quality especially under low illumination.



90fps

The high frame rate ups to 90fps@1080P resolution, which triples the number of frames offered by conventional HD network cameras. It enable Milesight cameras to capture real-time and low-latency images of fast moving objects clearly.



H.265 Motorized Pro Bullet Network Camera

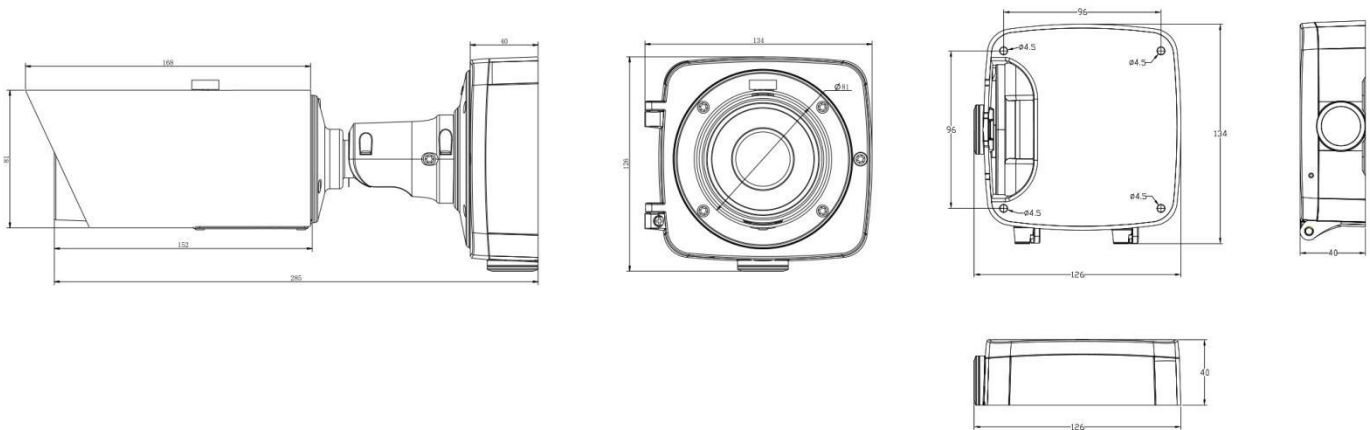
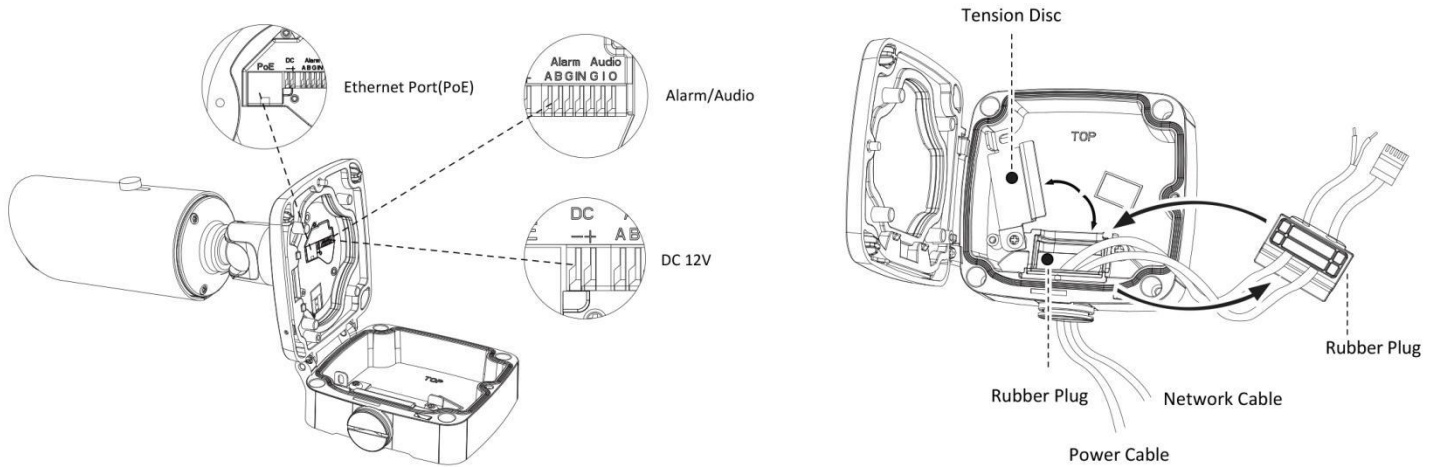


	Model	MS-C2862-(R)F(I)PB (2MP)	MS-C2962-(T)(R)F(I)PB (2MP)	MS-C3762-F(I)PB (3MP)	MS-C4462-(H)F(I)PB (4MP)	MS-C5362-(H)F(I)PB (5MP)
Camera	Image Sensor	1/2" Progressive Scan CMOS	1/2.8" Progressive Scan CMOS		1/3" Progressive Scan CMOS	1/2.8" Progressive Scan CMOS
	Min. Illumination	Color: 0.001Lux@F1.2 B/W: 0Lux with IR on	Color: 0.002Lux@F1.2 B/W: 0Lux with IR on	Color: 0.005Lux@F1.2 B/W: 0Lux with IR on	Color: 0.008Lux@F1.2 B/W: 0Lux with IR on	Color: 0.005Lux@F1.2 B/W: 0Lux with IR on
	WDR	Super WDR up to 140dB		Super WDR up to 120dB		
	Lens	Motorized 3.6~10mm @F1.4 P-Iris(Optional)	Motorized 3.0~10.5mm/2.8~12mm/7~22mm @F1.4 P-Iris(Optional)			
	Mount	Φ14				
	Field of View	H96°~H42°/ D111°~D48°/ V55°~V23°	H93°~H33°/D107°~D38° /V52°~V18° (3.0~10.5m) H91°~H34°/D105°~D39° /V51°~V19° (2.8~12mm) H40°~H16°/D46°~D19° /V23°~V9° (7~22mm)	H84°~H30°/D105°~D37° /V63°~V22°(3.0~10.5mm) H79°~H31°/D98°~D38° /V59°~V23° (2.8~12mm) H38°~H15°/D51°~D19° /V28°~V11° (7~22mm)	H85°~H30°/D99°~D35° /V48°~V17°(3.0~10.5mm) H76°~H31°/D88°~D36° /V45°~V18° (2.8~12mm) H36°~H15°/D41°~D17° /V22°~V8° (7~22mm)	H90°~H31°/D114°~D38° /V67°~V23°(3.0~10.5m) H87°~H31°/D110°~D39° /V65°~V24° (2.8~12mm) H37°~H15°/D47°~D19° /V28°~V11° (7~22mm)
	Shutter Time	1/100000s~1s				
IR Distance	Up to 60m(3.0~10.5mm)/ 100m(7~22mm)					
Day&Night	ICR Filter Auto Switch					
Video	Max. Image Resolution	1920x1080		2048x1536	2592x1520	2592x1944
	Primary Stream	60fps@(1920x1080) (Optional), 30fps@(1920x1080, 1280x960,1280x720, 704x576)	90fps@(1920x1080) (Optional for T Series), 60fps@(1920x1080) (Optional for R Series), 30fps@(1920x1080, 1280x960,1280x720, 704x576)	30fps@(2048x1536, 1920x1080, 1280x960, 1280x720, 704x576)	30fps@(2592x1520) (Optional), 20fps@(2592x1520), 30fps@(2304x1296, 1920x1080,1280x960, 1280x720, 704x576)	30fps@(2592x1944) (Optional), 20fps@(2592x1944), 30fps@(1920x1080, 1280x960, 1280x720, 704x576)
	Secondary Stream	30fps@(704x576, 640x480, 640x360, 352x288, 320x240, 320x192, 320x176)				
	Tertiary Stream	30fps@(1920x1080, 1280x720, 704x576, 640x480, 640x360, 320x240, 320x192, 320x176)				
	Video Compression	H.265+/H.265(HEVC)/H.264+/H.264/MJPEG				
	Video Bit Rate	16Kbps~16Mbps(CBR/VBR Adjustable)				
	Image Setting	Brightness/Contrast/Saturation/Sharpness				
Network	Ethernet	1*RJ45 10M/100M Ethernet Port				
	Network Storage	NAS(Support NFS, SMB/CIFS)				
	Protocol	IPv4/IPv6, TCP, UDP, RTP, RTSP, RTCP, HTTP, HTTPS, DNS, DDNS, DHCP, FTP, NTP, SMTP, SNMP, UPnP, SIP, PPPoE, VLAN, 802.1x, QoS, IGMP, ICMP, SSL				
Audio	Audio Compression	G.711/AAC				
	Audio I/O	1/1				
System	Alarm I/O	1/1				
	Storage	Support microSD/SDHC/SDXC Card Local Storage, up to 128G				
	Advanced Function	Motion Detection, Privacy Masking, Backlight Compensation, HLC, 2D DNR, 3D DNR, ROI, Anti-fog, White Balance, EIS, IP Address Filtering				
	SIP/VoIP Support	Yes, Voice & Video-over-IP				
	Event Trigger	Motion Detection, Network Disconnection, External Input, Audio Alarm, etc.				
	Event Action	FTP Upload/ SMTP Upload/ SD Card Record/ External Output/ SIP Phone				
	Video Analysis (Optional)	Region Entrance, Region Exiting, Advanced Motion Detection, Tamper Detection, Line Crossing, Loitering, Human Detection, People Counting, Object Left, Object Removed				
System Compatibility	ONVIF Profile S & G					
General	Working Temperature	-40℃~60℃				
	Working Humidity	0~90%(Non-condensing)				
	Power Supply	PoE (802.3af)/ DC 12V±10%				
	Power Consumption	6W MAX 10W MAX (With IR on)	6W MAX 10.5W MAX (With IR on)	6.5W MAX 10W MAX (With IR on)	5W MAX 9W MAX (With IR on)	
	Weather Proof	Up to IP67-rated for Weather-resistant Performance				
	Housing	Vandal-proof IK10-rated Metal Housing (Optional)				
	Weight	1080g				
	Dimensions	134mmX126mmX285mm				
Warranty	3/5 Years					

H.265 Motorized Pro Bullet Network Camera



Structure Diagrams



Units: mm

Accessories Support

A01 Pole Mount

Weight: 720g
Dimensions: 170*51.5*152.6mm



A02 Internal Corner Bracket

Weight: 540g
Dimensions: 170*23.2*205.3mm



A03 External Corner Bracket

Weight: 900g
Dimensions: 170*152.6*76.3mm

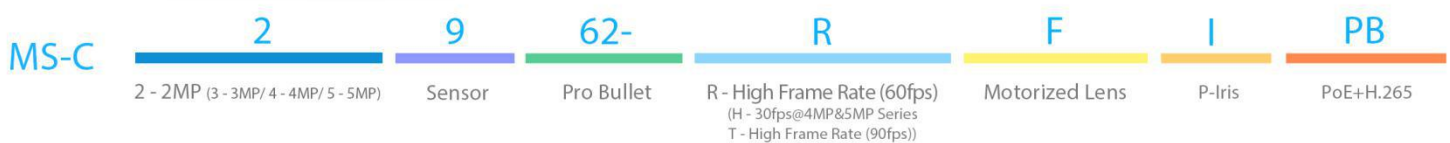


A62 Junction Box

Weight: 510g
Dimensions: 134*127*40mm



Naming Convention



Milesight Technology Co.,Ltd. | www.milesight.com

Contact Us: sales@milesight.com support@milesight.com



Add: 220 NE 51st Street, Oakland Park, Florida 33334, USA
Tel: +1-800-561-0485

Add: 9F/901, Star Valley B/D Digital-ro 9gil 99, Geumcheon-gu, Seoul, Korea
Tel: +82-2-839-3335

Add: No.23 Wanghai Road, 2nd Software Park, Xiamen, China
Tel: +86-592-5922772